



DT50



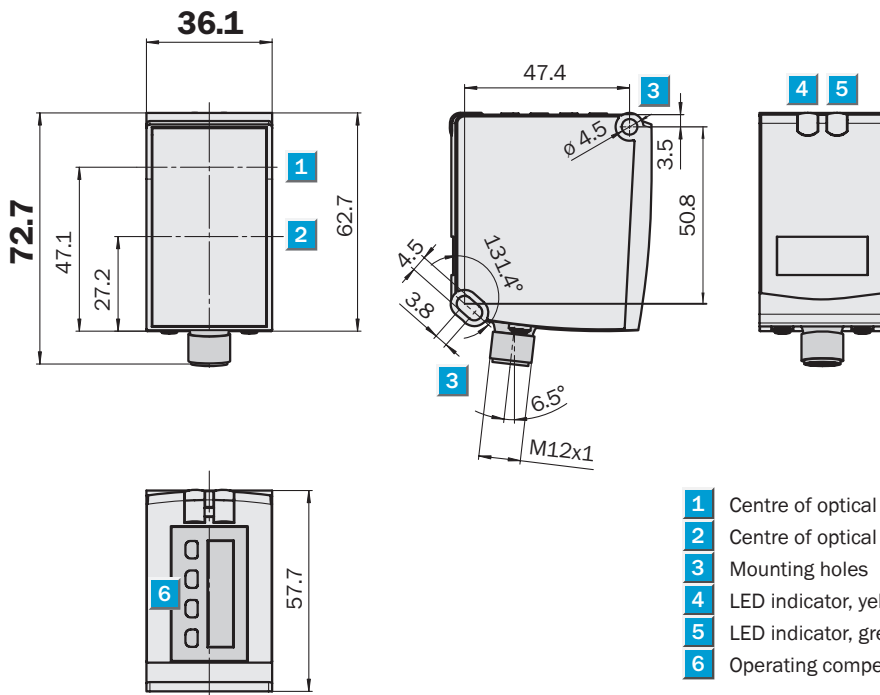
Laser distance sensor



- State-of-the-art time of flight technology for fast and accurate measurement results (range up to 10 m)
- Quick and easy commissioning thanks to the display and the intuitive operating concept
- Red light laser with small and temperature-stable light spot for precise alignment
- Wide temperature range from -30 °C to +65 °C

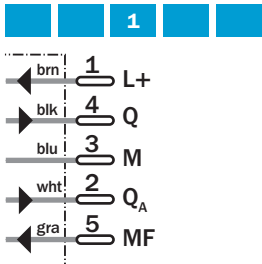
CE III Laser class 2 CDRH

Dimensional drawing



- 1 Centre of optical axis sender
- 2 Centre of optical axis receiver
- 3 Mounting holes
- 4 LED indicator, yellow; status of received light beam
- 5 LED indicator, green; power on
- 6 Operating component display

Connection type, M12, 5-pin DT50-



General technical data

Measurement range 90%	200 ... 10,000 mm
Measurement range 18%	200 ... 6,500 mm
Measurement range 6%	200 ... 4,000 mm
Resolution	1 mm
Repeatability ¹⁾	± 5 mm
Accuracy	± 10 mm
Response time	10 ms
Teach-in	Display/MF
Light source	Laser red, class 2 EN (60 825-1)
Light spot diameter	typ. Ø 15 mm at 10 m distance
Supply voltage V _s ²⁾	10 ... 30 V
Residual ripple ³⁾	≤ 5 V _{ss}
Power consumption ⁴⁾	< 1.7 W
Output current ⁵⁾	100 mA
Enclosure rating	IP 65 (EN 60 529)
VDE protection class	⊠
Ambient temperature	Operation -30 °C ... +65 °C Storage -40 °C ... +75 °C
Ambient light	40,000 lux
Weight	200 g

¹⁾ Repeatability = ± 1 δ

²⁾ Limit values, reverse-polarity protected

³⁾ May not exceed or fall short of V_s tolerances

⁴⁾ Without load

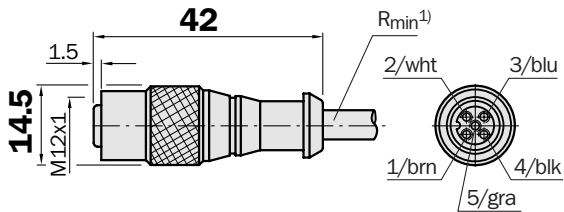
⁵⁾ Output Q short-circuit protected

Type-specific data incl. order information

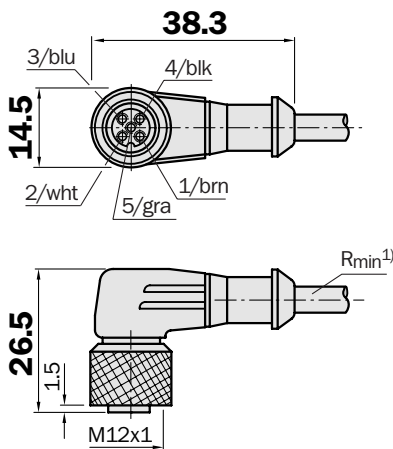
Type	Order no.	Interface	Switching output	Connection type	Display
DT50-P1113	1044369	4 ... 20 mA	PNP	M12, 5-pin	Display, LED

Cables and connectors

Type	Order no.	Description
DOL-1205-G02M	6008899	Female connector, M12, 5-pin straight, 2 m, PVC
DOL-1205-G05M	6009868	Female connector, M12, 5-pin straight, 5 m, PVC
DOL-1205-G10M	6010544	Female connector, M12, 5-pin straight, 10 m, PVC
DOL-1205-G02MC	6025906	Female connector, M12, 5-pin straight, 2 m, PUR, halogen free
DOL-1205-G05MC	6025907	Female connector, M12, 5-pin straight, 5 m, PUR, halogen free
DOL-1205-G10MC	6025908	Female connector, M12, 5-pin straight, 10 m, PUR, halogen free

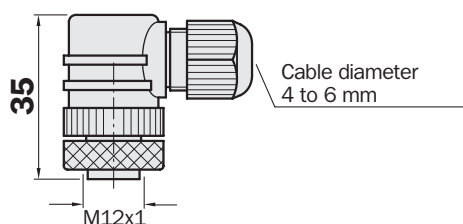
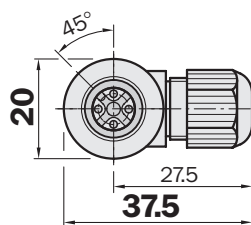
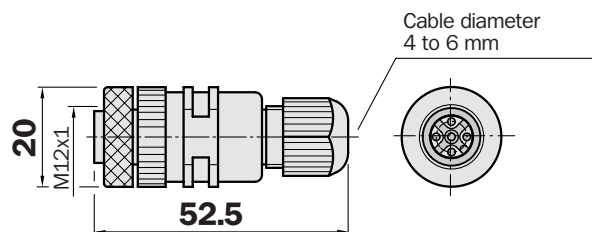


Type	Order no.	Description
DOL-1205-W02M	6008900	Female connector, M12, 5-pin angled, 2 m, PVC
DOL-1205-W05M	6009869	Female connector, M12, 5-pin angled, 5 m, PVC
DOL-1205-W10M	6010542	Female connector, M12, 5-pin angled, 10 m, PVC
DOL-1205-W02MC	6025909	Female connector, M12, 5-pin angled, 2 m, PUR, halogen free
DOL-1205-W05MC	6025910	Female connector, M12, 5-pin angled, 5 m, PUR, halogen free
DOL-1205-W10MC	6025911	Female connector, M12, 5-pin angled, 10 m, PUR, halogen free

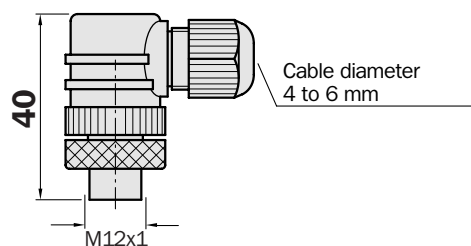
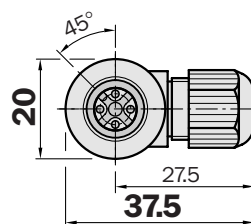
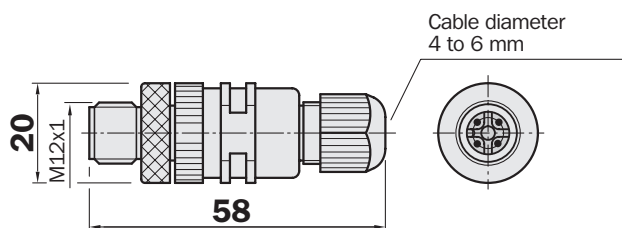


Cables and connectors

Type	Order no.	Description
DOS-1205-G	6009719	Female connector, M12, 5-pin straight
DOS-1205-W	6009720	Female connector, M12, 5-pin angled

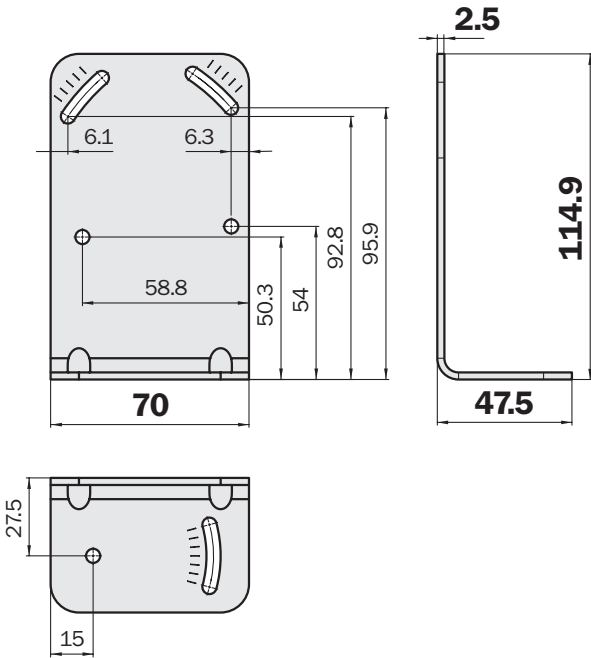


Type	Order no.	Description
STE-1205-G	6022083	Male connector, M12, 5-pin straight
STE-1205-W	6022082	Male connector, M12, 5-pin angled

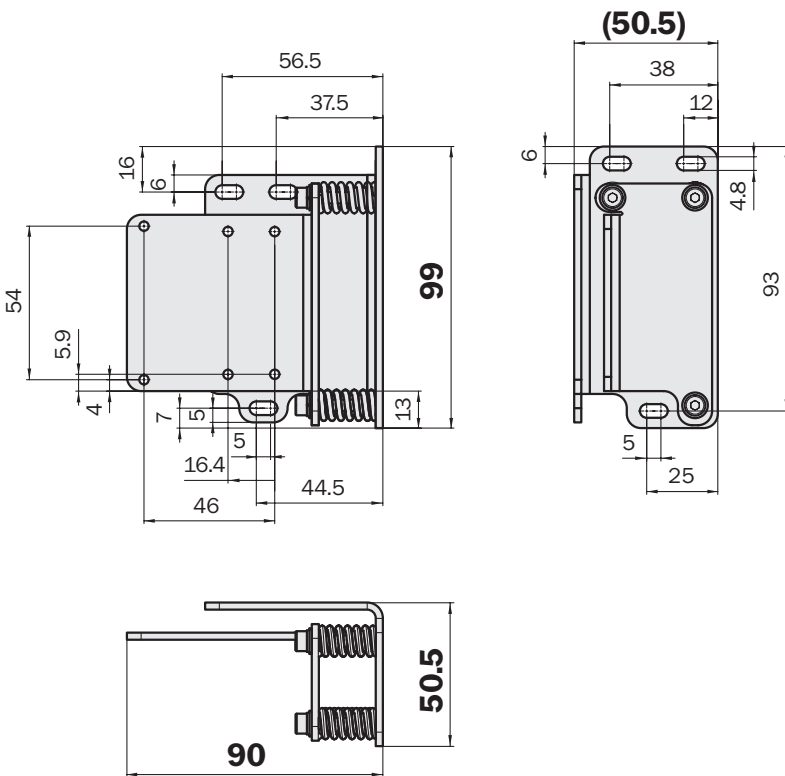


Mounting systems

Type	Order no.	Description
BEF-WN-DX50	2048370	Mounting bracket set (incl. screws)

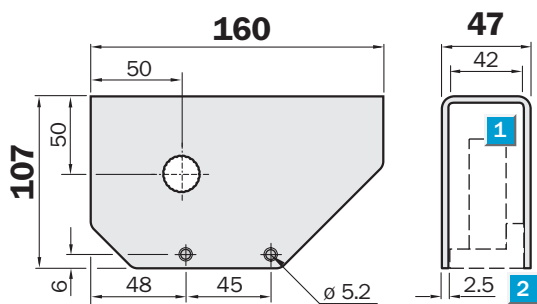


Type	Order no.	Description
BEF-AH-DX50	2048397	Adjustment bracket



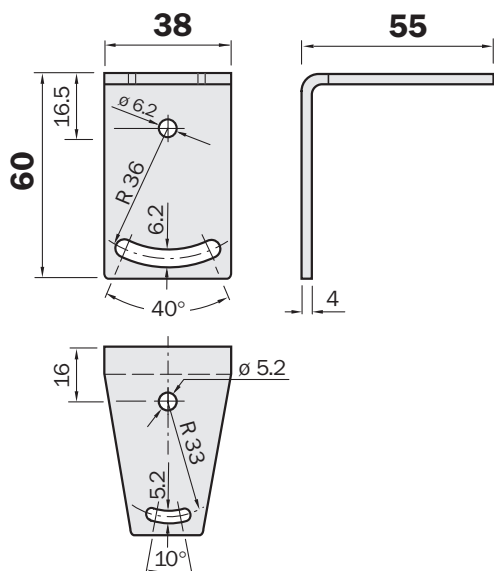
Mounting systems

Type	Order no.	Description
OBW-KHS-M01	2023240	Weather protection hood



- 1** Sensor
- 2** Base plate with clamp supplied with unit

Type	Order no.	Description
BEF-WN-OBW	2023251	Mounting bracket for weather protection hood



Type	Order nr.	Description
BEF-KHS-KH1	2022726	Clamp without mounting plate



Australia

Phone +61 3 9497 4100
1800 33 48 02 – tollfree
E-Mail sales@sick.com.au

Belgium/Luxembourg

Phone +32 (0)2 466 55 66
E-Mail info@sick.be

Brasil

Phone +55 11 3215-4900
E-Mail sac@sick.com.br

Ceská Republika

Phone +420 2 57 91 18 50
E-Mail sick@sick.cz

China

Phone +852-2763 6966
E-Mail ghk@sick.com.hk

Danmark

Phone +45 45 82 64 00
E-Mail sick@sick.dk

Deutschland

Phone +49 211 5301-250
E-Mail info@sick.de

España

Phone +34 93 480 31 00
E-Mail info@sick.es

France

Phone +33 1 64 62 35 00
E-Mail info@sick.fr

Great Britain

Phone +44 (0)1727 831121
E-Mail info@sick.co.uk

India

Phone +91-22-4033 8333
E-Mail info@sick-india.com

Israel

Phone +972-4-999-0590
E-Mail info@sick-sensors.com

Italia

Phone +39 02 27 43 41
E-Mail info@sick.it

Japan

Phone +81 (0)3 3358 1341
E-Mail support@sick.jp

Nederlands

Phone +31 (0)30 229 25 44
E-Mail info@sick.nl

Norge

Phone +47 67 81 50 00
E-Mail austefjord@sick.no

Österreich

Phone +43 (0)22 36 62 28 8-0
E-Mail office@sick.at

Polska

Phone +48 22 837 40 50
E-Mail info@sick.pl

Republic of Korea

Phone +82-2 786 6321/4
E-Mail kang@sickkorea.net

Republika Slovenija

Phone +386 (0)1-47 69 990
E-Mail office@sick.si

România

Phone +40 356 171 120
E-Mail office@sick.ro

Russia

Phone +7 495 775 05 34
E-Mail info@sick-automation.ru

Schweiz

Phone +41 41 619 29 39
E-Mail contact@sick.ch

Singapore

Phone +65 6744 3732
E-Mail admin@sicksgp.com.sg

Suomi

Phone +358-9-25 15 800
E-Mail sick@sick.fi

Sverige

Phone +46 10 110 10 00
E-Mail info@sick.se

Taiwan

Phone +886 2 2375-6288
E-Mail sickgrc@ms6.hinet.net

Türkiye

Phone +90 216 587 74 00
E-Mail info@sick.com.tr

USA/Canada/México

Phone +1(952) 941-6780
1 800-325-7425 – tollfree
E-Mail info@sickusa.com

More representatives and agencies
in all major industrial nations at
www.sick.com